

SFI Technical form & Price list



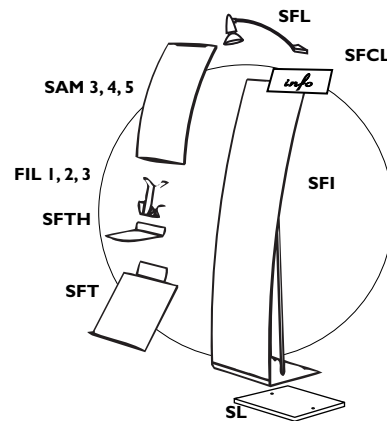
Description

SFI adjustable, perforated, curved display unit with or without trays and poster mounting.

Brand : Signarco®
Designer : Stéphane Geslin
Made in France

Individually boxed
Double-flap resilience
« Douffline » and anti-deformation
protective foam

i with ballast or fixed on floor
(see accessories)



i Colours to order and customisation for orders over 50

Materials : 2 mm steel Finishings: High-resistance industrial epoxy paint				SFI SIGNARCO® Range	
Standard colours grey 9006 (alu)				Weight	Contents
Matt black					
		Single perforated display unit (240 x 1500 mm)		9 kg	
Accessories					wire tray max. SFI
		FIL1	Wire tray for A4 size document (width 230 mm ; depth 35 mm)	0,08 kg	4
		FIL2	Wire tray for A5 size document (width 154 mm ; depth 35 mm)	0,06 kg	5
		FIL3	Wire tray for 1/3 A4 size document (width 108 mm ; depth 35 mm)	0,05 kg	10
		SAM4	Poster frame A4 (21 x 29,7 mm) (Vertical or Horizontal)	0,8 kg	
		SAM3	Poster frame A3 (29,7 x 42 mm) (Vertical or Horizontal)	0,8 kg	
		SAM5	Poster frame 40 x 60 (400 x 600 mm) (Vertical)	2,2 kg	
		SL	Ballast to screw (240 x 350 mm)	6,2 kg	
		SFL	Low-wattage lighting (20w)	0,4 kg	
		SFTH	Horizontal shelf (200 x 240 mm)	0,9 kg	2
		SFT	Book support (350 x 460 mm)	2,3 kg	
		Option	Ring bindings \varnothing 15 mm entraxe de fixation 265 mm	0,04 kg	
		SFCL	Clip for titling on SFI (120 x 240 mm)	0,45 kg	