

PRESTO 2 Technical form & Price list



6 Kg

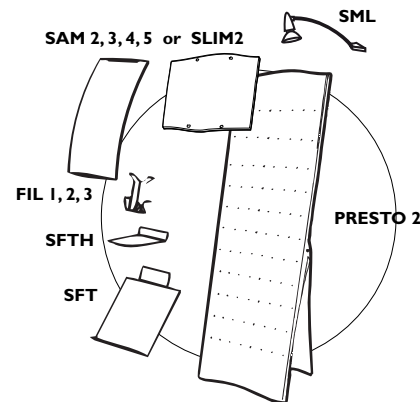
Description

Double foldaway perforated display unit with or without trays and poster mountings.

Brand: Presto®
Designer: Stéphane Geslin
Made in Francee

i 5 minutes to install

Individually boxed
Double-flap resilience
« Douflin » and anti-deformation
protective foam



i Colours to order and customisable for orders over 50

Materials : 2 mm alu				PRESTO2 PRESTO® Range	
Finishings: High-resistance industrial epoxy paint					
Standard colours				Weight	Contents
Grainy grey 150 (alu)					
		Double foldaway perforated display unit 480 x 1500 mm with 1 SLIM 2		6 kg	
Accessories					Nbre de bacs par Presto
		Wire tray for A4 size document (width 230 mm ; depth 35 mm)		0,08 kg	4
		Wire tray for A5 size document (width 154 mm ; depth 35 mm)		0,062 kg	5
		Wire tray for 1/3 A4 size document (width 108 mm ; depth 35 mm)		0,054 kg	10
		Poster frame A3 (480 x 370 mm)		0,360 kg	1
		Reinforced protective case made of waterproof fabric with sling and handle		1 kg	
		Poster frame A4 (210 x 297 mm)		0,8 kg	
		Poster frame A3 (297 x 420 mm)		0,8 kg	
		Poster frame 40 x 60 (400 x 600 mm)		2,2 kg	
		Poster frame 60 x 80 (640 x 835 mm) (to be transported outside the case)		4,4 kg	
		Low-wattage lighting (20w)		0,4 kg	
		Horizontal shelf (200 x 240 mm)		0,9 kg	2
		Book support (350 x 460 mm)		2,3 kg	
		Ring bindings Ø 15 mm entraxe de fixation 265 mm		0,04 kg	