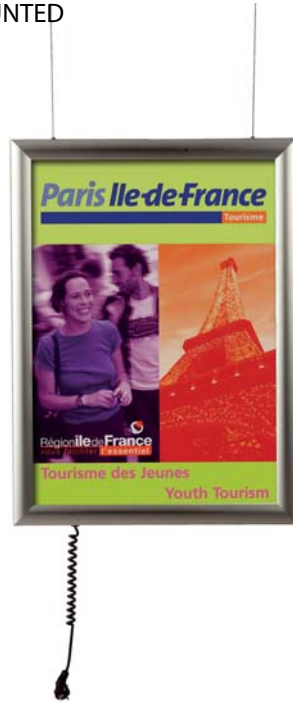


MKCL Technical form & Price list

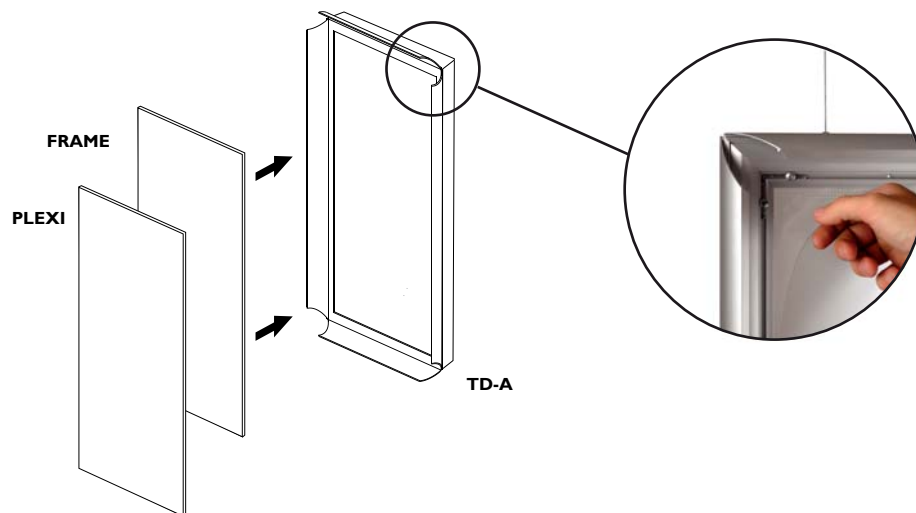
WALL-MOUNTED OR CABLE-MOUNTED



Description

Lit poster display, wall-mounted or hanging, single or double-sided.

Individually wrapped in strong boxes.



Materials : Anodized aluminium				MKCL LUMINEUX® range	
Standard colours				Weight	Contents
Anodized					
	MKCL02	Single-sided poster display, thickness 52 A2 (420 X 594 mm)			
	MKCL12	Double-sided poster display, thickness 70 A2 (420 X 594 mm)			
	MKCL01	Single-sided poster display, thickness 52 A1 (594 X 840 mm)			
	MKCL11	Double-sided poster display, thickness 70 A1 (594 X 840 mm)			
	MKCL00	Single-sided poster display, thickness 52 A0 (840 X 1188 mm)			
	MKCL10	Double-sided poster display, thickness 70 A0 (840 X 1188 mm)			
	TDC	2 Stoppers should be ordered for each poster display (per pair)			
	GKCA	2 cables 2 hooks			